



F17

Access Control
Biometric Fingerprint Device



Features

Standard Features

- IP65 Rated
- Built-in Serial and Ethernet ports sensor
- Built-in Wiegand input/output ports
- Less than 1 second user recognition
- Stores 1500 templates and 30,000 transactions
- Built-in USB port allows for manual data transfer
- Reads Fingerprint and/or Pin's and/or RFID card

Enhanced Features

- Audio - Visual indications for valid / invalid entries
- Supports 50 time zones, 5 groups and 10 combinations
- Tamper switch
- Integrated 125kHz RFID proximity reader

Software

- ZK Access Control Management 3.5
- ZKTime.net (T&A)

Related Products



ZK4500



F12-Slave



RFID Cards



Exit Button



Maglocks

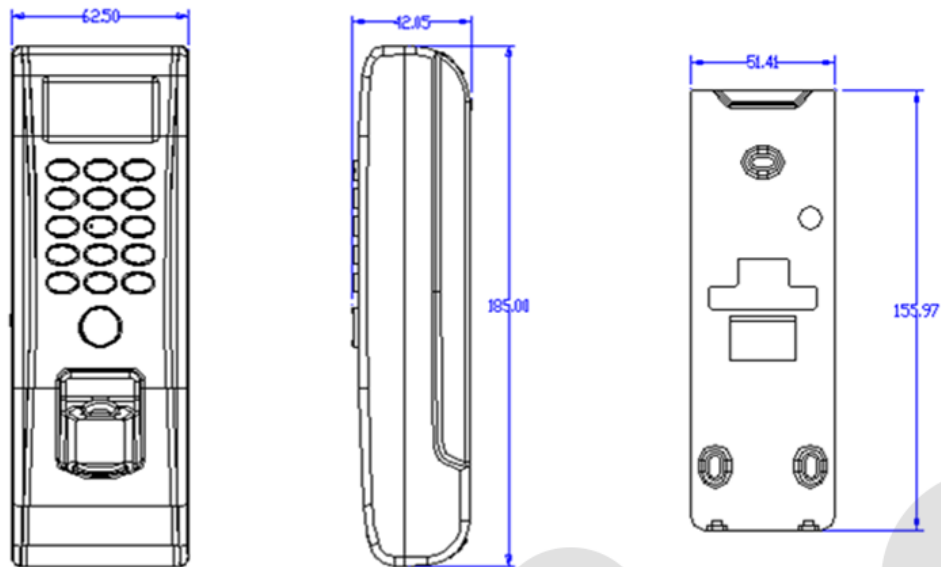


Mini UPS

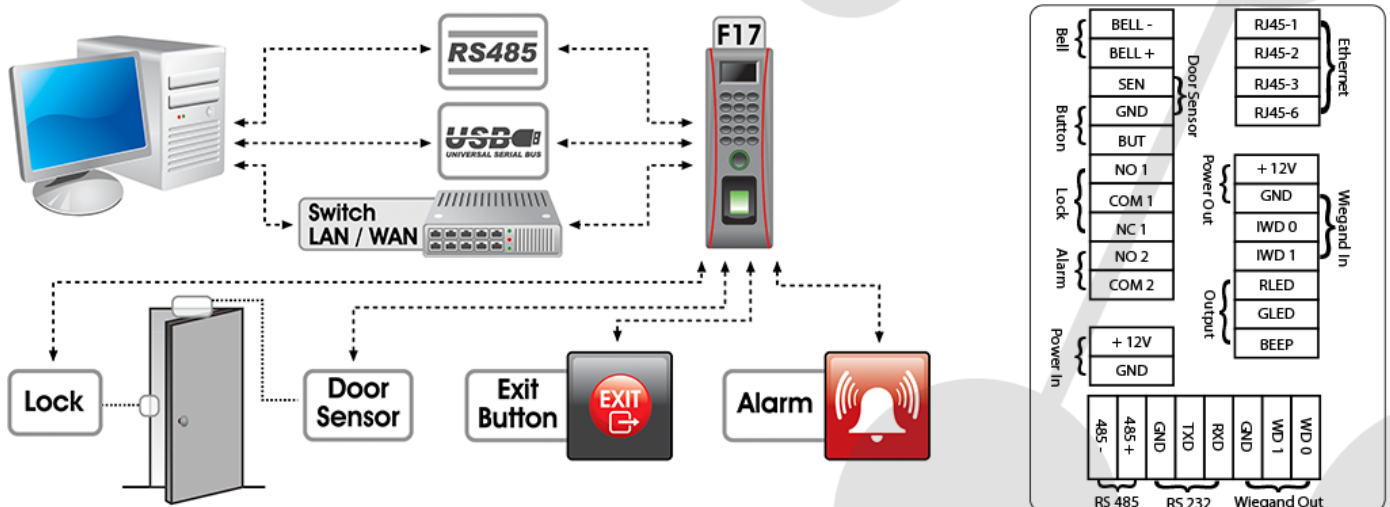
Specifications

- Fingerprint Capacity: 1,500 templates
- Transaction Capacity: 30,000 transactions
- RFID Card Capacity: 10,000 cards
- Sensor: ZK Optical Sensor
- Algorithm Version: ZK Finger v10.0
- Built-in Card Reader: 125kHz RFID proximity reader
- Communication: RS485, TCP/IP, USB-host
- Wiegand Ports: Input and Output any bits
- Access Control interfaces: 3rd party electric lock, door sensor, exit button, door alarm
- Access Control functions: 50 time zones, 5 access control groups, 10 combinations
- Power Supply: 12V DC 3A
- Operating Temperature: 0 °C - 60 °C
- Operating Humidity: 10% - 90%
- Dimension: 62 X 185 X 41.5mm

Dimensions



Configuration



ZKTeco, ZKSoftware, ZKAccess, ZKIVision, ZKBiolock, ZKAFIS are either registered trademarks or trademarks of ZKTECO INC and ZKTeco South Africa.

You must obtain written and signed permission from ZKTECO before using any photograph owned or licenced by ZKTECO.

Copyright © 1998-2014 ZKTECO INC. All rights reserved.