

Secure your Assets



F18 Biometric Access Control Terminal



Features :

- Reliable, durable and highly accurate ZK optical sensor with ZK Finger V10.0 algorithm
- Less than 1 second user recognition
- Stores 1,500 templates, 10,000 cards and 30,000 transactions
- Reads Fingerprint and/or RFID card
- Supports 50 time zones, 5 groups and 10 unlock combinations
- Integrated 125kHz RFID proximity reader
- Built-in Serial and Ethernet ports
- Built-in Wiegand input/output ports for connection to third party control panels
- Built-in USB port allows for manual data transfer
- Audio - Visual indications for acceptance and rejection of valid/ invalid fingers
- Tamper switch

ZKTeco

South Africa

ZKAccess

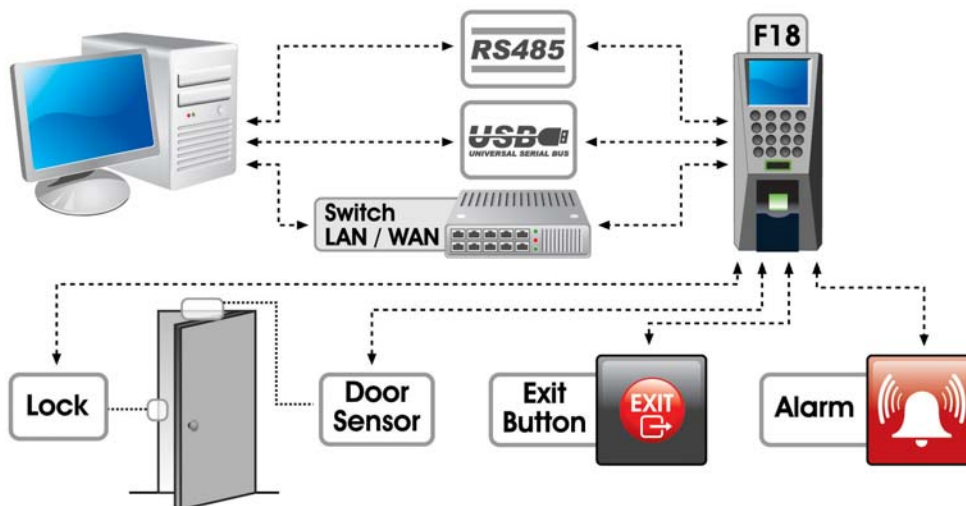
ZKSoftware

ZKBiLock

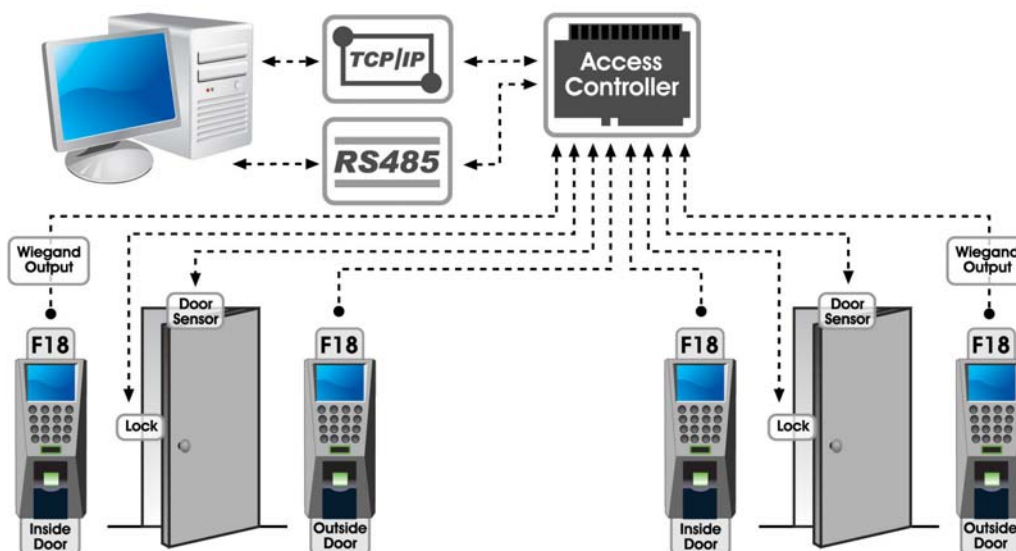
ZKiVision

ZKAFIS

Standalone Configuration:



3rd Party Controller Configuration:



Specifications:

Fingerprint Capacity:	1,500 templates
Transaction Capacity:	30,000 transactions
RFID Card Capacity:	10,000 cards
Sensor:	ZK Optical Sensor
Algorithm Version:	ZK Finger v10.0
Built-in Card Reader:	125kHz RFID proximity reader
Communication:	RS485, TCP/IP, USB-host
Wiegand Ports:	Input and Output any bits
Access Control interfaces:	3rd party electric lock, door sensor, exit button, open door alarm.
Access Control functions:	50 time zones, 5 access control groups, 10 unlock combinations
Power Supply:	12V DC 3A
Operating Temperature:	0 °C - 45 °C
Operating Humidity:	20%-80%
Dimension:	80X183X42 mm

ZKTeco®

Unit 5, Wellness Corporate Park,
Hartbeespoort
Tel: +27(0)12 259 1047
Email: info@zkteco.co.za
www.zkteco.co.za

CE FC RoHS
South Africa

ZKACCESS®

ZKSoftware®

ZKBiOlock

ZKiVision

ZKAFIS