

## DS-K1T673DX(O-STD)/SA/DS-K1T673DGX Face Recognition Terminal



Face recognition terminal is a kind of access control device. It can be widely applied in multiple scenarios, such as enterprises, stations, dwellings, factories, schools, campus and so on.

- 7-inch LCD touch screen, 2 Mega pixel wide-angle lens
- Recognition distance: 0.3 to 3 m
- Face recognition duration < 0.2 s/User
- Face recognition accuracy rate ≥ 99%
- Built-in M1 card, Felica card, and DESfire card reading module (Presents card on the screen to authenticate)
- Face mask detection
- 10,000 face capacity, 10,000 fingerprint capacity (With fingerprint module), 50,000 card capacity, and 150,000 event capacity
- Supports ISAPI, ISUP 5.0, TCP/IP (IPv4 and IPv6)
- Supports single person and multiple people (Up to 5 people) recognition

## ▪ Specification

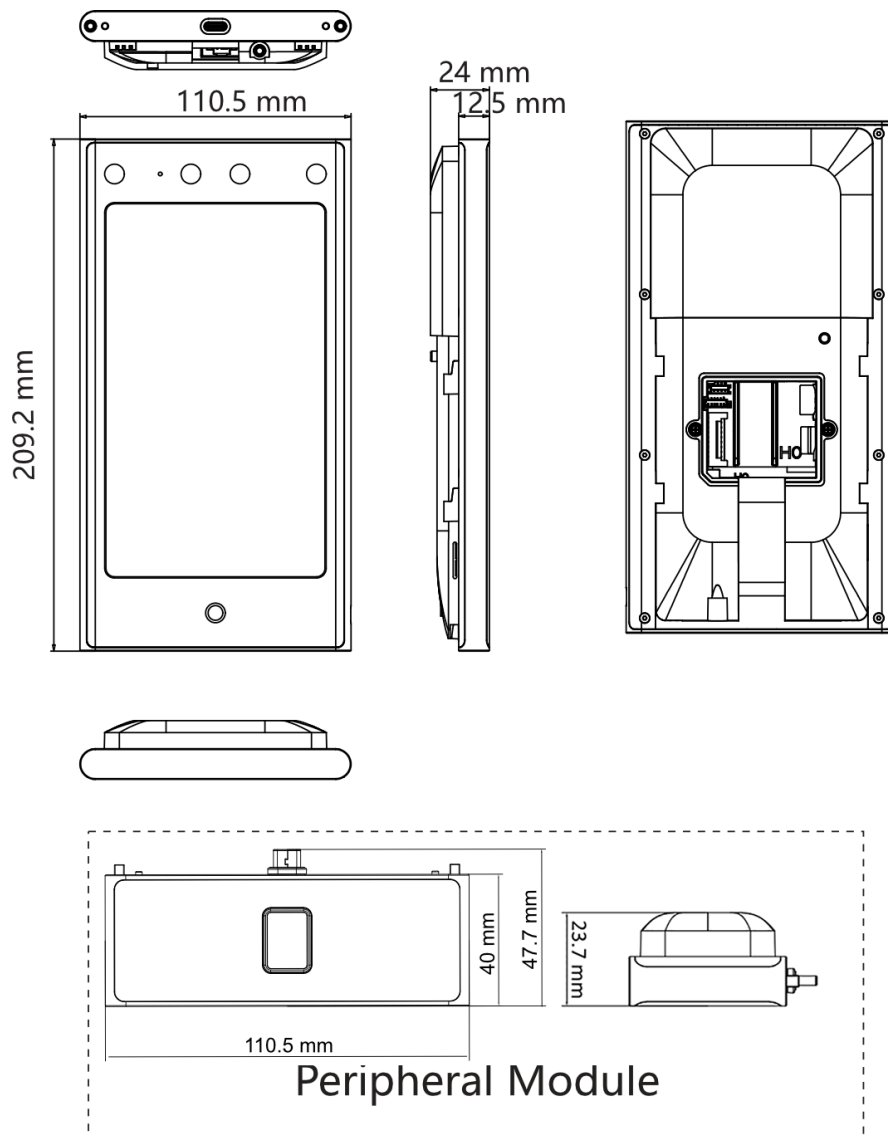
System	
ROM	4 GB
RAM	1 GB
Operation system	Linux
Display	
Operation method	Capacitive touch screen
Resolution	600 × 1024
Size	7-inch
Type	Touch screen
Video	
FOV	HFOV= 75.5°; VFOV= 41.5°; DFOV= 87°
Focal length	4 mm
Aperture	F1.1
Pixel	2 MP
Lens	Dual-lens
WDR	Support
Video standard	PAL (Default)/NTSC
Audio	
Audio compression standard	G.711U
Audio compression bitrate	64 Kbps
Tone quality	Built-in omnidirectional microphone
Volume adjustment	Support
Power output	1.5 W
Network	
Communication protocol	IPV4: SADP, SIP, RTSP, ISAPI, ISUP 5.0 IPV6: RTSP, ISAPI
Wireless Network	Support 2G/3G/4G LTE FDD: B1/B3/B5/B7/B8/B20/B28 LTE TDD: B38/B40/B41 WCDMA: B1/B5/B8 GSM: 900/1800 MHz
4G	Support
Wired network	Support 10/100/1000 Mbps self-adaptive
Interface	
Alarm input	2
Alarm output	1
USB	1 (For Module)
Audio Output Interface	1 (3.5 mm)
Network interface	1
RS-485	1
Wiegand	1
Lock output	1
Exit button	1
Door contact input	1
TAMPER	1

<b>Capacity</b>	
Fingerprint capacity	10,000 (With fingerprint module)
Card capacity	50,000
Face capacity	10,000
Event capacity	150,000
<b>Authentication</b>	
Face recognition accuracy rate	≥ 99%
Card type	M1 card, DESfire card, Felica card
Card reading distance	0 to 3 cm
Card reading duration	< 1 s
Face recognition duration	< 0.2 s per person
Face recognition distance	0.3 to 3 m
<b>General</b>	
Indicator	Support
Power supply	12 VDC to 24 VDC/2 A
Working temperature	-30 °C to 60 °C (-22 °F to 140 °F)
Working humidity	0 to 90% (no condensing)
Protective level	IP65
Dimensions	110.5 mm × 209.2 mm × 24 mm (4.35" × 8.24" × 0.94")
Weight	Gross Weight: 1.06 kg (2.34 lb)
	Net Weight: 0.57 kg (1.26 lb)
Language	English, Spanish (South America), Arabic, Thai, Indonesian, Russian, Vietnamese, Portuguese (Brazil), Japanese, Korean, Traditional Chinese, French and Turkish
<b>Function</b>	
Two-way audio	Support
Multi-factor authentication	Support
M1 card encryption	Support
Anti-passback	Support
First person in	Support
Advertisement	Support
Time synchronization	Support
Face anti-spoofing	Support
Live view	Support
Audio prompt	Support

## ▪ Available Model

DS-K1T673DX(O-STD)/SA/DS-K1T673DGX

▪ Dimension



▪ **Accessory**

▪ **Optional**

<b>DS-KAB6-D1</b> <b>Base Bracket</b>	<b>DS-KAB6-ZU1</b> <b>Brackets for face</b> <b>terminals</b>	<b>DS-KAB673-FB</b> <b>Peripheral Module</b>	<b>DS-KAB673-FBQR</b> <b>Peripheral Module</b>	<b>DS-KAB673-BQR</b> <b>Peripheral Module</b>
				
<b>DS-KAB673-B</b> <b>Peripheral Module</b>	<b>DS-KAB6-W1</b> <b>Wall Mount Bracket</b>	<b>DS-KAB673-EDB</b> <b>Peripheral Module</b>	<b>DS-KAB673-P</b> <b>Peripheral Module</b>	
				

# See Far, Go Further



[www.hikvision.com](http://www.hikvision.com)  
[support@hikvision.com](mailto:support@hikvision.com)

